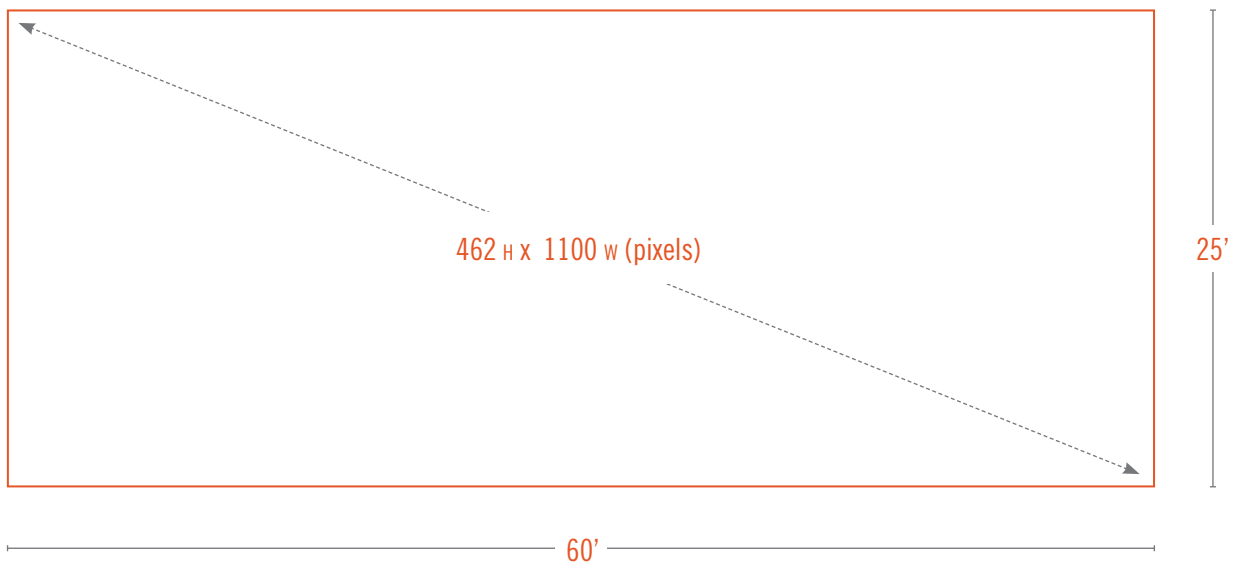


# DENVER DIGITAL COLLECTION

SPEC SHEET | FULL SCREEN | VIEWABLE AREA: 25' H x 60' W



## DIGITAL CONTENT

**DTD1001:** 25' H x 60' W

- Digital Resolution: 462 H x 1100 W (pixels)
- Frames Per Second: 30 fps (square pixels)
- Length: :15 seconds
- All rendered artwork: (1.0)px @ 72 dpi
- Color Mode: RGB

## ARTWORK REQUIREMENTS

- Final hi-res STATIC content format: .jpg (max), baseline (standard)
- Final MOTION GRAPHIC content format: .mp4 (H.264 codec)
- Audio: Not Supported

Length of motion graphics must be the exact length agreed upon with Branded Cities. Any extra frames will be cut off at the end of the spot. Display-ready content must be received by Branded Cities at least one week prior to posting date.

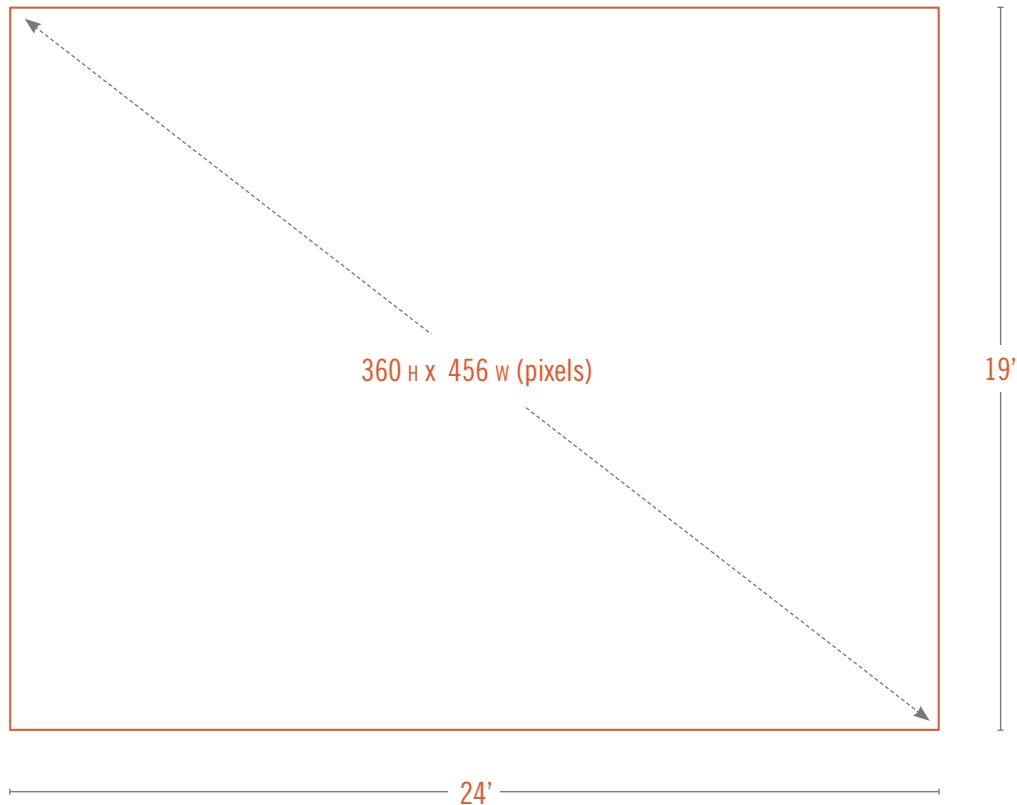
Click to download templates here: **AFTER EFFECTS**

Deliverable files for DTD1001 can be uploaded to our Sharefile here: <https://brandedcities.sharefile.com/r/r7c13a46898045e88>

For questions, please contact: **MATTHEW SINCLAIR** | 602.224.3105 | [programming@brandedcities.com](mailto:programming@brandedcities.com)

# DENVER DIGITAL COLLECTION

SPEC SHEET | FULL SCREEN | VIEWABLE AREA: 19' H x 24' W



## DIGITAL CONTENT

**DTD1016:** 19' H x 24' W

- Digital Resolution: 360 H x 456 W (pixels)
- Frames Per Second: 30 fps (square pixels)
- Length: :15 seconds
- All rendered artwork: (1.0)px @ 72 dpi
- Color Mode: RGB

## ARTWORK REQUIREMENTS

- Final hi-res STATIC content format: .jpg (max), baseline (standard)
- Final MOTION GRAPHIC content format: .mp4 (H.264 codec)
- Audio: Not Supported

Length of motion graphics must be the exact length agreed upon with Branded Cities. Any extra frames will be cut off at the end of the spot. Display-ready content must be received by Branded Cities at least one week prior to posting date.

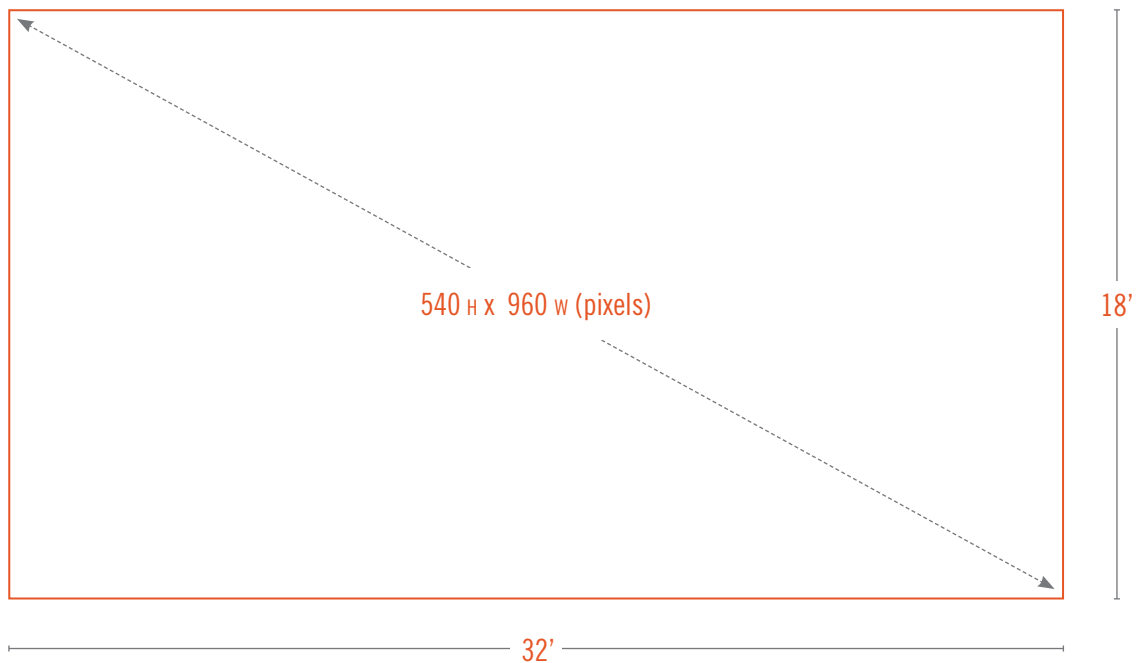
Click to download templates here: **AFTER EFFECTS**

Deliverable files for DTD1016 can be uploaded to our Sharefile here: <https://brandedcities.sharefile.com/r/r998efbecd0241ee9>

For questions, please contact: **MATTHEW SINCLAIR** | 602.224.3105 | [programming@brandedcities.com](mailto:programming@brandedcities.com)

# DENVER DIGITAL COLLECTION

SPEC SHEET | FULL SCREEN | VIEWABLE AREA: 18' H X 32' W



## DIGITAL CONTENT

**DTD1025:** 18' H X 32' W

- Digital Resolution: 540 H x 960 W (pixels)
- Frames Per Second: 30 fps (square pixels)
- Length: :15 seconds
- All rendered artwork: (1.0)px @ 72 dpi
- Color Mode: RGB

## ARTWORK REQUIREMENTS

- Final hi-res STATIC content format: .jpg (max), baseline (standard)
- Final MOTION GRAPHIC content format: .mp4 (H.264 codec)
- Audio: Not Supported

Length of motion graphics must be the exact length agreed upon with Branded Cities. Any extra frames will be cut off at the end of the spot. Display-ready content must be received by Branded Cities at least one week prior to posting date.

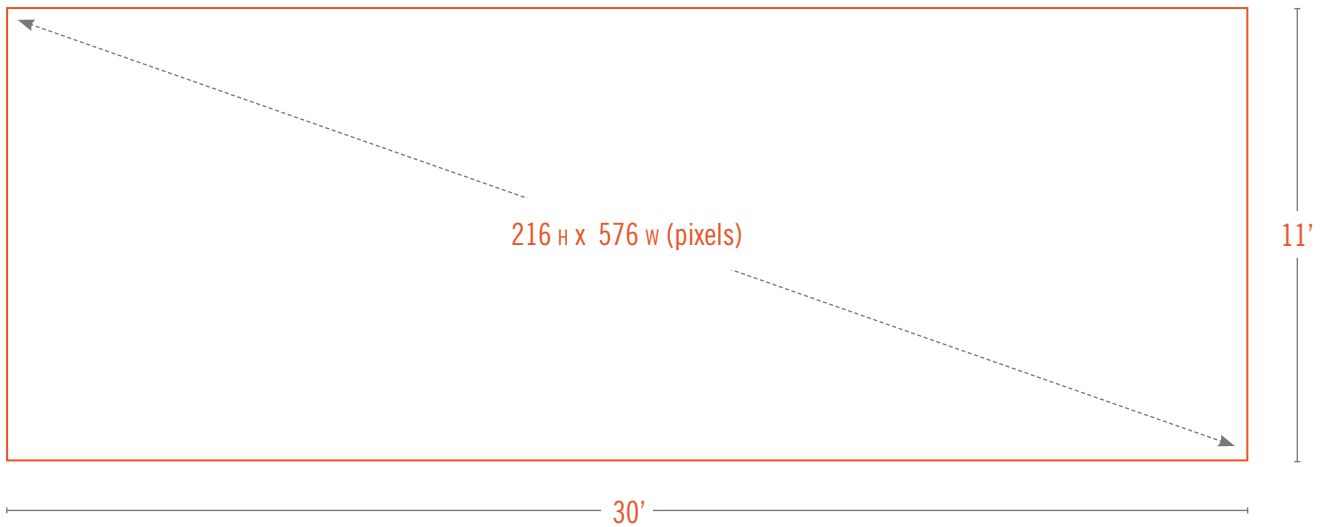
Click to download templates here: **AFTER EFFECTS**

Deliverable files for DTD1025 can be uploaded to our Sharefile here: <https://brandedcities.sharefile.com/r/r5f7cee428b94a288>

For questions, please contact: **MATTHEW SINCLAIR** | 602.224.3105 | [programming@brandedcities.com](mailto:programming@brandedcities.com)

# DENVER DIGITAL COLLECTION

SPEC SHEET | FULL SCREEN | VIEWABLE AREA: 11' H x 30' W



## DIGITAL CONTENT

**DTD1035:** 11' H x 30' W

- Digital Resolution: 216 H x 576 W (pixels)
- Frames Per Second: 30 fps (square pixels)
- Length: :15 seconds
- All rendered artwork: (1.0)px @ 72 dpi
- Color Mode: RGB

## ARTWORK REQUIREMENTS

- Final hi-res STATIC content format: .jpg (max), baseline (standard)
- Final MOTION GRAPHIC content format: .mp4 (H.264 codec)
- Audio: Not Supported

Length of motion graphics must be the exact length agreed upon with Branded Cities. Any extra frames will be cut off at the end of the spot. Display-ready content must be received by Branded Cities at least one week prior to posting date.

Click to download templates here: **AFTER EFFECTS**

Deliverable files for DTD1035 can be uploaded to our Sharefile here: <https://brandedcities.sharefile.com/r/rc3ab44c4ecb47cfb>

For questions, please contact: **MATTHEW SINCLAIR** | 602.224.3105 | [programming@brandedcities.com](mailto:programming@brandedcities.com)



## STATIC CONTENT

- Digital resolution: 256 H x 880 W (pixels)
- All rendered artwork: (1.0) px @ 72 dpi
- Final hi-res formats: .jpeg
- Color mode: RGB

## MOTION GRAPHIC CONTENT

- After Effects document setup: 256 H x 880 W (pixels), 29.97 FPS
- Final delivery format: .mp4 (H.264 codec)
- Length: :15 seconds; Audio: Not supported

## PLEASE NOTE

*Creative content runs in :15 second increments. Length of motion graphics must be the exact time agreed upon with Branded Cities. Any extra frames will be cut off at the end of the spot. Creative approval required two weeks prior to the campaign start date.*

*All rendered content **MUST** be received **2 FULL BUSINESS DAYS** before the scheduled posting date.*

## DOWNLOAD TEMPLATES BELOW

AFTER EFFECTS

## FILE DELIVERY INSTRUCTIONS

UPLOAD TO BRANDED CITIES SHAREFILE:

<https://brandedcities.sharefile.com/r-r014fb4ab825418da>

MAIL PORTABLE HARD DRIVE:

*Attn: Matthew Sinclair*

*Branded Cities, 2850 E Camelback Road, Phoenix, AZ 85016*

## FOR QUESTIONS, PLEASE CONTACT:

[programming@brandedcities.com](mailto:programming@brandedcities.com)

PH 602.224.3105